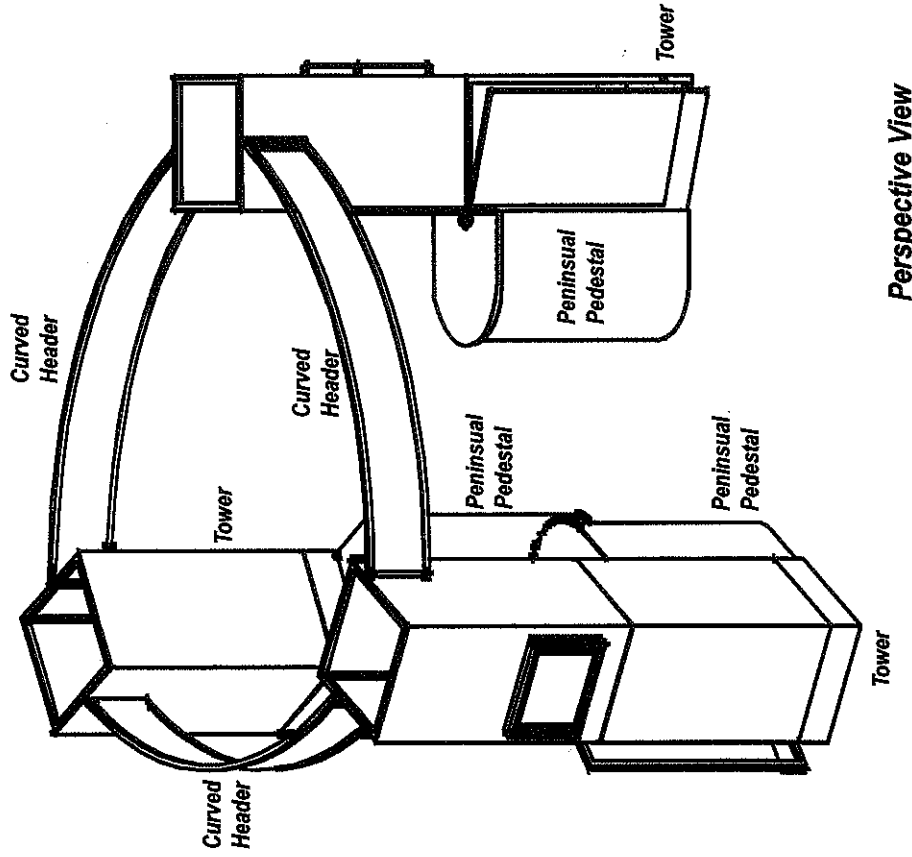
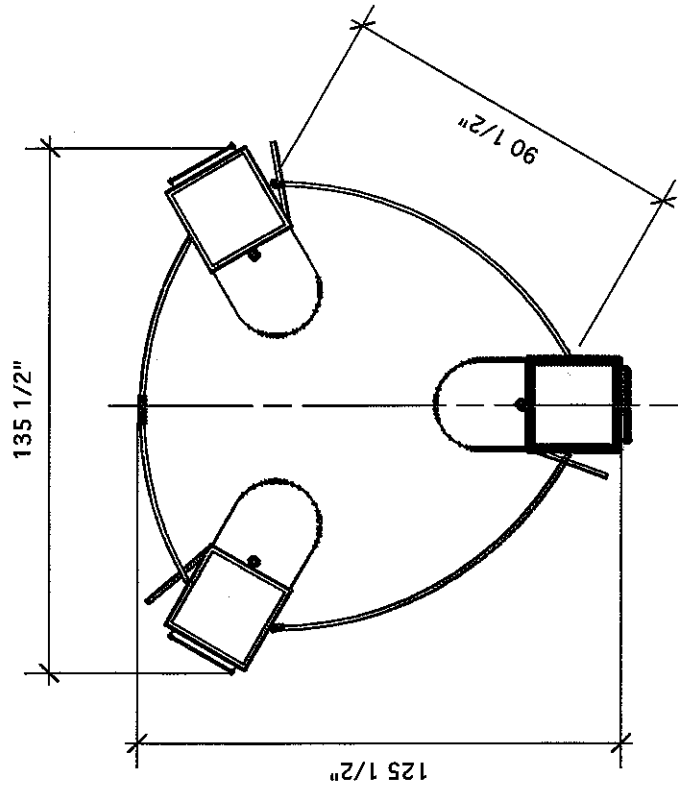


'Space Coast Advertising' Plan & Perspective Views

1. Push the Peninsula Pedestals up against the Towers.
2. Hang the Headers over the Tower as shown.



Perspective View

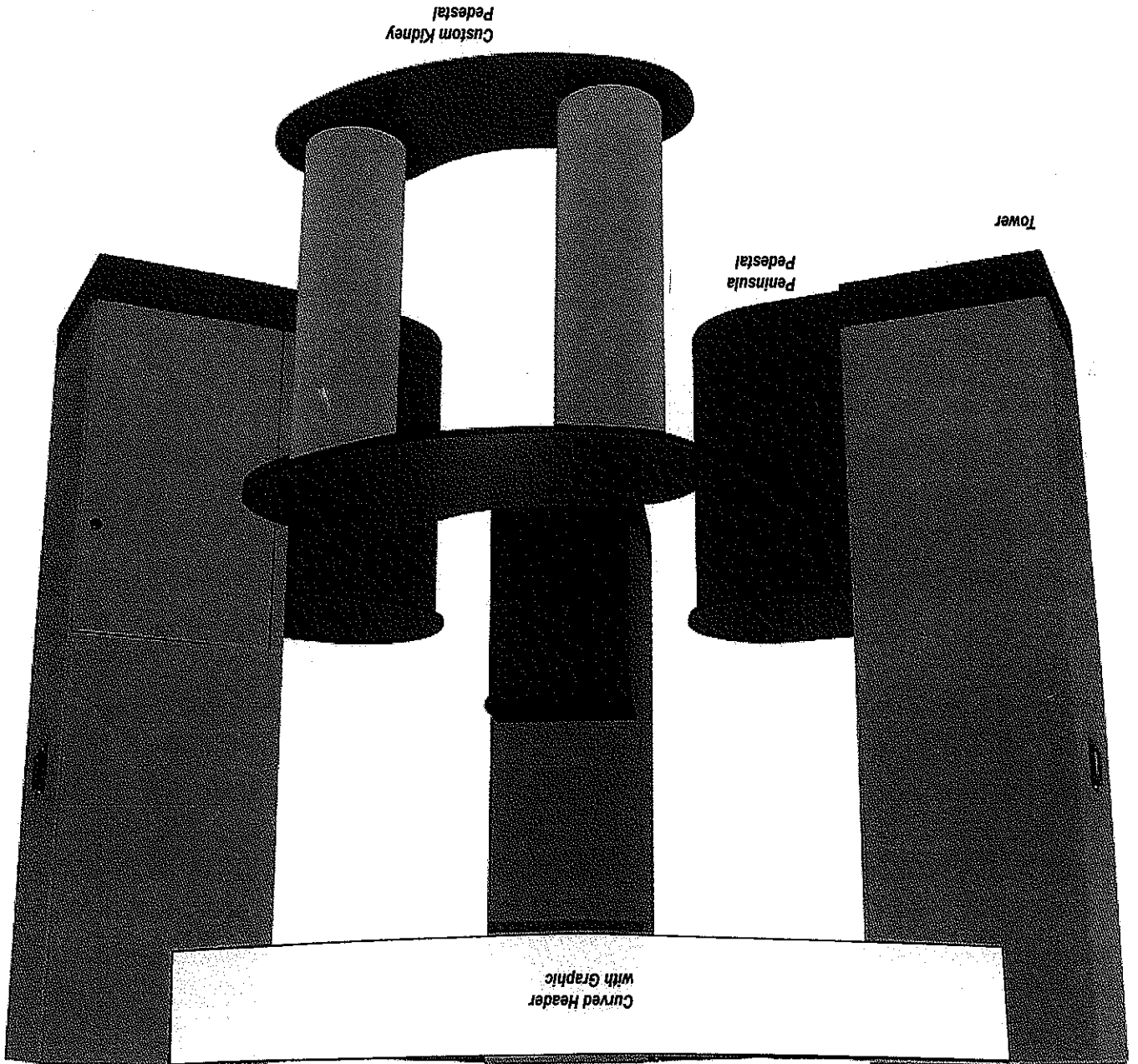


Plan View

Setup Instructions

SpaceCoastTitle 5.07
#0023669 MA

'Space Coast Advertising' Custom Forum Display



P.O. Box 110527 Durham, NC 27709 • 4102 South Miami Blvd, Durham, NC 27703
tel 919.544.6504 • fax 919.544.6729 • sales@godfreygroup.com • www.godfreygroup.com

The
Godfrey
Group
Inc.

4-Sided Tower Frame Assembly--3 Units

1. All Frame Pieces connect via Snap-Fit Bullet Connectors. Simply line-up the Frame Holes/Bullet Connectors and push-in to engage (refer to detail below). All Frame Members are labeled and should be assembled as shown.

2. Begin by attaching Vertical Frames to the Bottom Horizontal Frame. Note that the Door Frame is hinged to Frame 'T1'. Attach the Middle Horizontal Frame to the Vertical Frames. Attach the Top Vertical Frames to the Middle Horizontal Frame.

3. Finally, attach the Top Horizontal Frame to the Top Vertical Frames at the Flange as shown. Then Velcro Fabric Panel 'PC' to the Front of the Frame. Then attach the Monitor Mount to the Fabric & Wood Panels with Bolt Fasteners as shown.

4. Velcro the Fabric Panels to the Frame as shown.

3. Velcro the Fabric Panels to the Frame as shown.

4. Velcro the Wooden Panel to the Top Vertical Frames at the Flange as shown. Then Velcro Fabric Panel 'PC' to the Front of the Frame. Then attach the Monitor Mount to the Fabric & Wood Panels with Bolt Fasteners as shown.

3. Velcro the Fabric Panels to the Frame as shown.

4. Velcro the Wooden Panel to the Top Vertical Frames at the Flange as shown. Then Velcro Fabric Panel 'PC' to the Front of the Frame. Then attach the Monitor Mount to the Fabric & Wood Panels with Bolt Fasteners as shown.

3. Velcro the Fabric Panels to the Frame as shown.

4. Velcro the Wooden Panel to the Top Vertical Frames at the Flange as shown. Then Velcro Fabric Panel 'PC' to the Front of the Frame. Then attach the Monitor Mount to the Fabric & Wood Panels with Bolt Fasteners as shown.

3. Velcro the Fabric Panels to the Frame as shown.

4. Velcro the Wooden Panel to the Top Vertical Frames at the Flange as shown. Then Velcro Fabric Panel 'PC' to the Front of the Frame. Then attach the Monitor Mount to the Fabric & Wood Panels with Bolt Fasteners as shown.

3. Velcro the Fabric Panels to the Frame as shown.

4. Velcro the Wooden Panel to the Top Vertical Frames at the Flange as shown. Then Velcro Fabric Panel 'PC' to the Front of the Frame. Then attach the Monitor Mount to the Fabric & Wood Panels with Bolt Fasteners as shown.

3. Velcro the Fabric Panels to the Frame as shown.

4. Velcro the Wooden Panel to the Top Vertical Frames at the Flange as shown. Then Velcro Fabric Panel 'PC' to the Front of the Frame. Then attach the Monitor Mount to the Fabric & Wood Panels with Bolt Fasteners as shown.

3. Velcro the Fabric Panels to the Frame as shown.

4. Velcro the Wooden Panel to the Top Vertical Frames at the Flange as shown. Then Velcro Fabric Panel 'PC' to the Front of the Frame. Then attach the Monitor Mount to the Fabric & Wood Panels with Bolt Fasteners as shown.

3. Velcro the Fabric Panels to the Frame as shown.

4. Velcro the Wooden Panel to the Top Vertical Frames at the Flange as shown. Then Velcro Fabric Panel 'PC' to the Front of the Frame. Then attach the Monitor Mount to the Fabric & Wood Panels with Bolt Fasteners as shown.

3. Velcro the Fabric Panels to the Frame as shown.

4. Velcro the Wooden Panel to the Top Vertical Frames at the Flange as shown. Then Velcro Fabric Panel 'PC' to the Front of the Frame. Then attach the Monitor Mount to the Fabric & Wood Panels with Bolt Fasteners as shown.

3. Velcro the Fabric Panels to the Frame as shown.

4. Velcro the Wooden Panel to the Top Vertical Frames at the Flange as shown. Then Velcro Fabric Panel 'PC' to the Front of the Frame. Then attach the Monitor Mount to the Fabric & Wood Panels with Bolt Fasteners as shown.

3. Velcro the Fabric Panels to the Frame as shown.

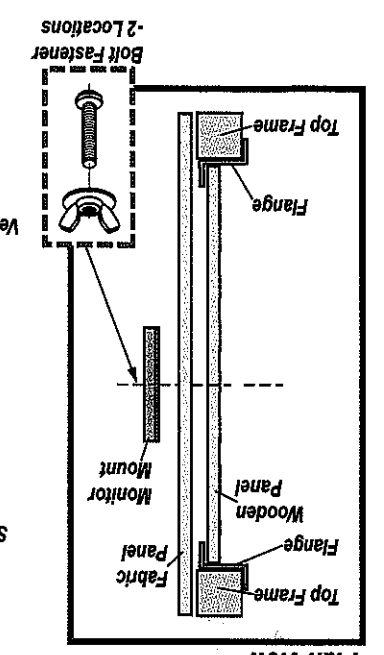
4. Velcro the Wooden Panel to the Top Vertical Frames at the Flange as shown. Then Velcro Fabric Panel 'PC' to the Front of the Frame. Then attach the Monitor Mount to the Fabric & Wood Panels with Bolt Fasteners as shown.

3. Velcro the Fabric Panels to the Frame as shown.

4. Velcro the Wooden Panel to the Top Vertical Frames at the Flange as shown. Then Velcro Fabric Panel 'PC' to the Front of the Frame. Then attach the Monitor Mount to the Fabric & Wood Panels with Bolt Fasteners as shown.

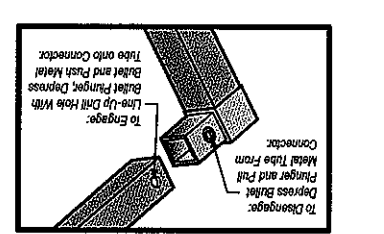
3. Velcro the Fabric Panels to the Frame as shown.

4. Velcro the Wooden Panel to the Top Vertical Frames at the Flange as shown. Then Velcro Fabric Panel 'PC' to the Front of the Frame. Then attach the Monitor Mount to the Fabric & Wood Panels with Bolt Fasteners as shown.

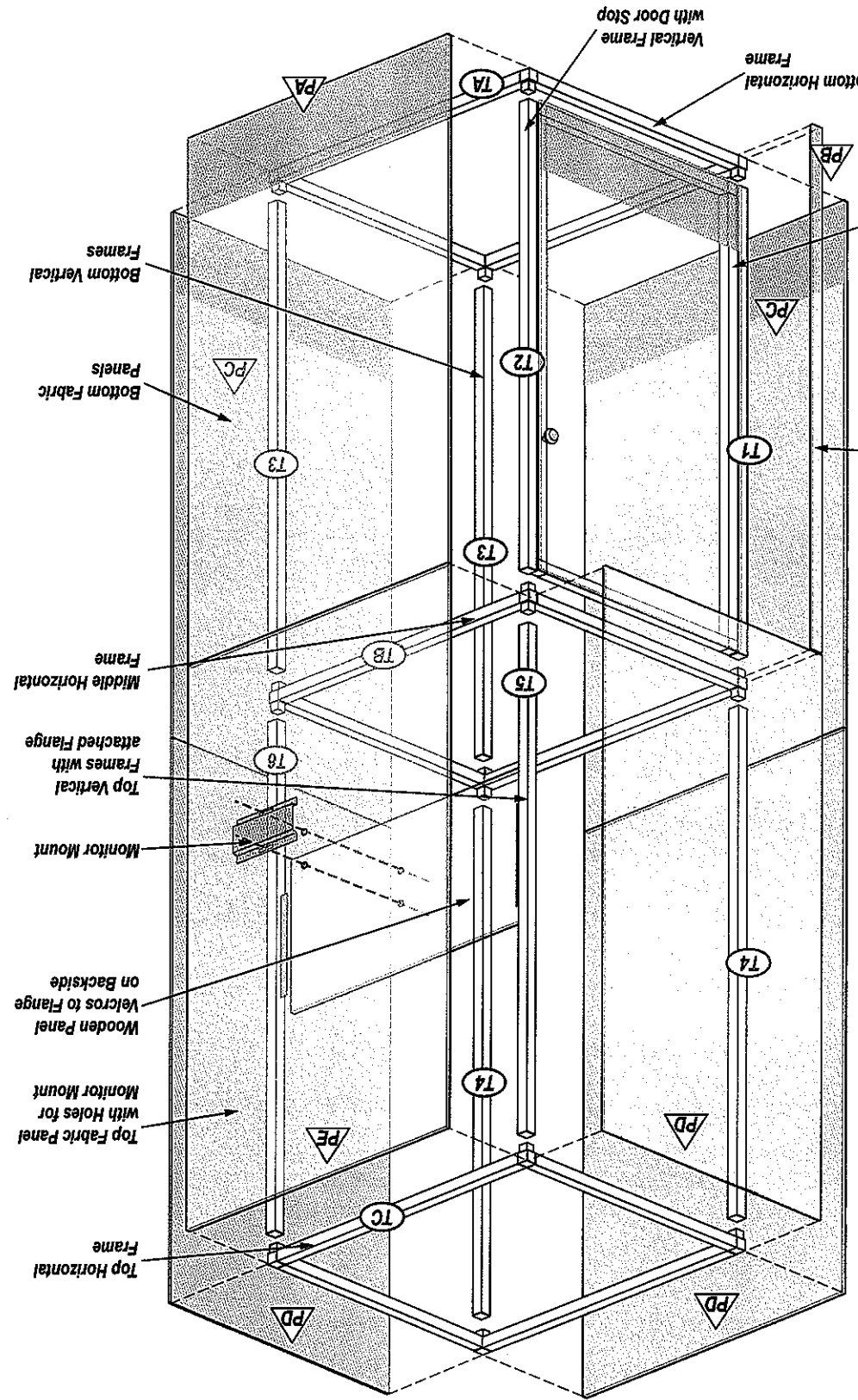


Plan View

Please Note that when removing Panels, use a thin tool such as a putty knife to separate the velcro. Separating the Panel velcro by force can damage the panels.



Typical Frame Snap-Fit Bullet Connectors

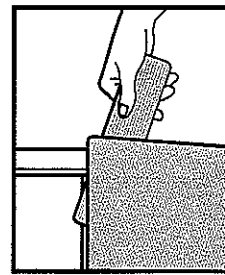
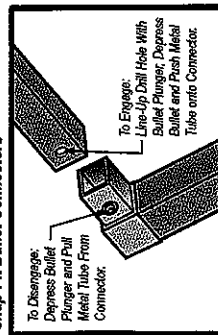


Peninsula Pedestals Frame Assembly and Panel Attachment-3 Units

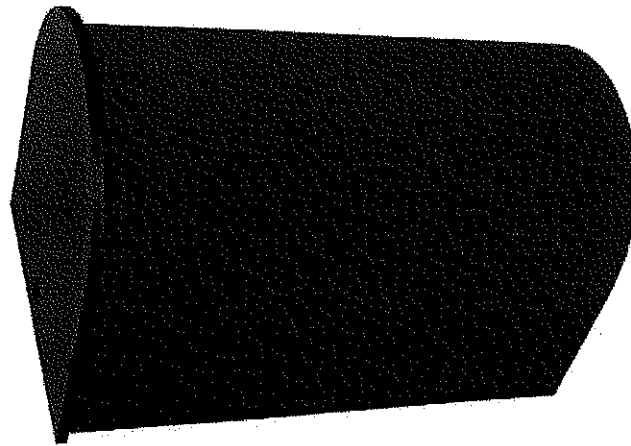
ShortPenInFpdShellClosed 5.07
MA

1. The Frame Members connect via Snap-Fit Bullet Connectors. Simply line-up the Frame Holes/Bullet Connectors and push-in to engage. The Velcro Strips on Frame Pieces should always face outward for Fabric Panel attachment.
2. Connect the Frame as shown below. Begin with the Bottom Horizontal Frame Section and add the Vertical H-Frame Sections and Brace Rod.
3. Connect the Top Horizontal Frame Section.
4. Place the Shelf on the H-Frames. Then, attach the Fabric Panels at locations shown with Velcro.
5. Velcro the Counter Top to the Top Horizontal Frame Section.

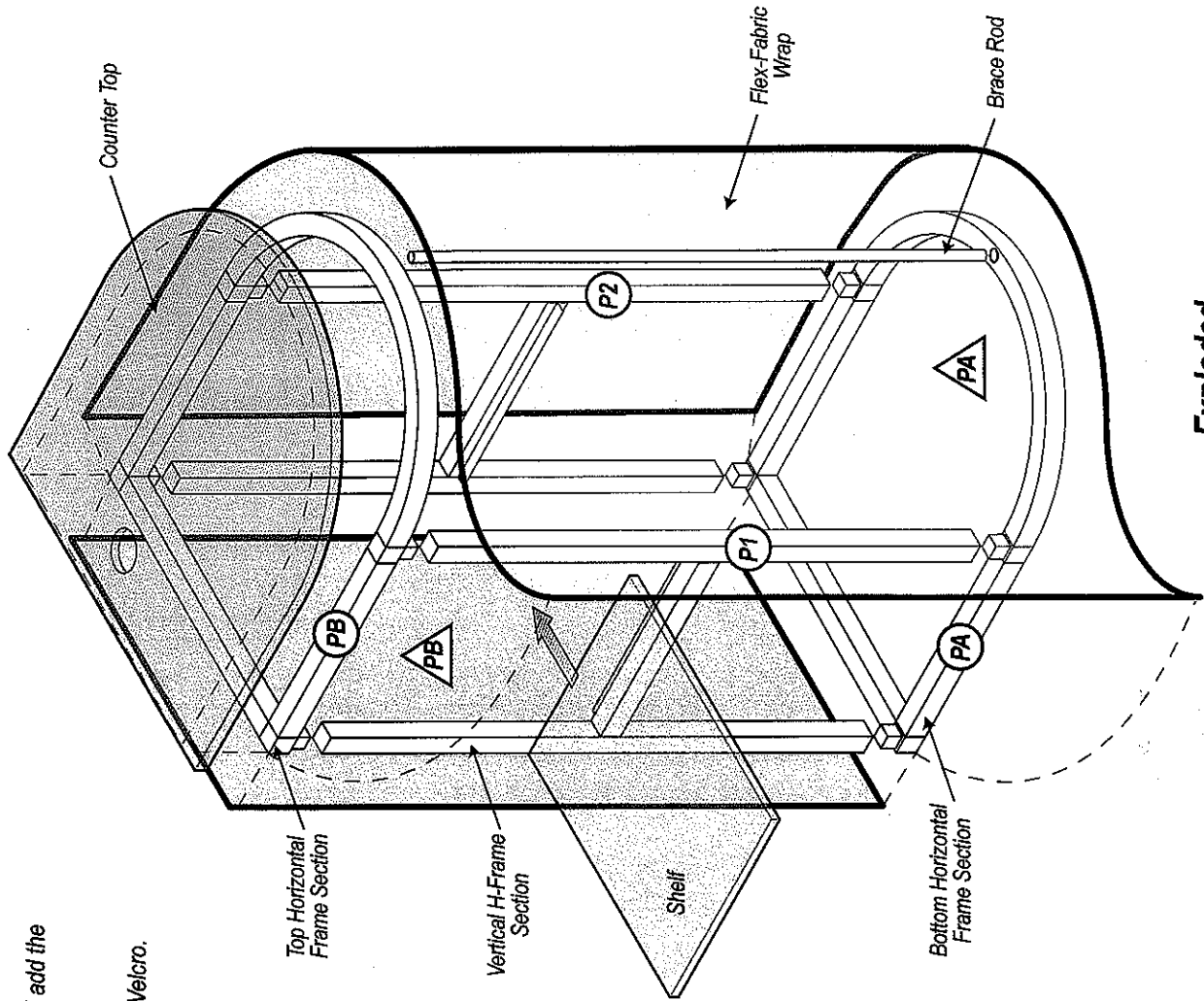
Typical Frame Snap-Fit Bullet Connectors



Please Note that when removing Panels, use a thin tool such as a utility knife to separate the velcro. Separating the Panel velcro by force can damage the panels.



Assembled Pedestal Image



Exploded Perspective View

○ Circular Symbol indicates Frame Member or Section

△ Triangular Symbol indicates Fabric Panel

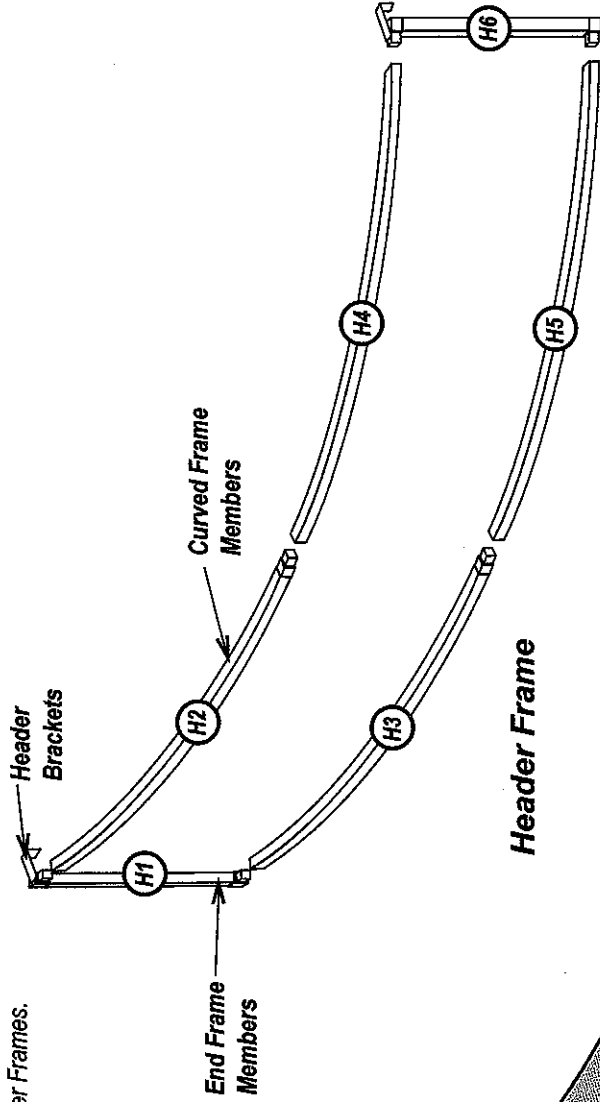
The Godfrey Group Inc.

P.O. Box 110527 Durham, NC 27709 • 4102 South Miami Blvd, Durham, NC 27703
tel 919.544.6504 • fax 919.544.6729 • sales@godfreygroup.com • www.godfreygroup.com

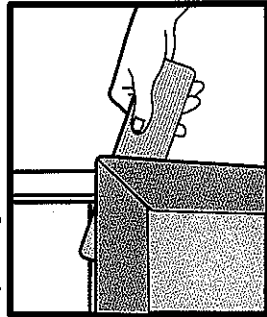
Curved Header Frame & Graphic Assembly-3 Identical Units

CurveHeader2Sect 5.07

1. Frame Members connect via Snap-Fit Bullet Connectors. Simply line-up the Frame Holes/Bullet Connectors and push-in to engage. All Velcro strips on the Frame Members should face forward for attaching the Graphic Panel.
2. Attach the Header Graphic Panels to the Front & Back of the Header Frames. Velcro one end of the Graphic Panel to the Frame and work across to the opposite end.
3. Hang the Header Frames over the Square Towers.

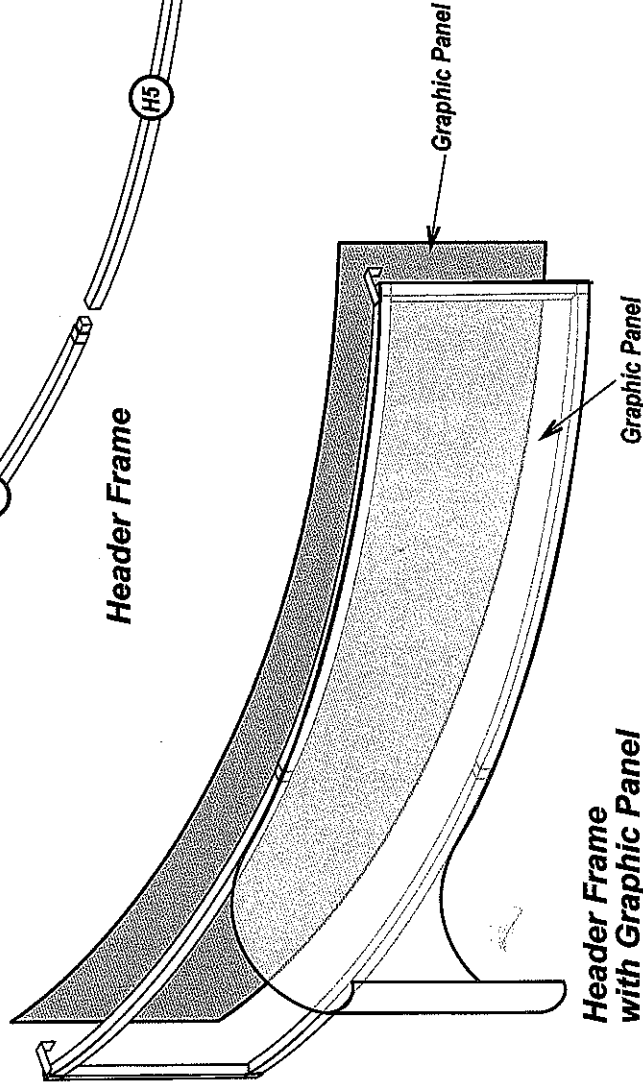
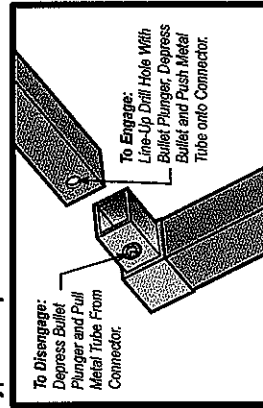


Separating Velcro Detail



Please Note that when removing Panels, use a thin tool such as a putty knife to separate the velcro. Separating the Panel velcro by force can damage the panels.

Typical Snap-Fit Bullet Connectors



Kidney Shaped Pedestal Assembly

KidneyRndColumns 5.07
MA

1. Slide the 2 Columns over the Plates on the Base Section.
2. Slide the Counter Plates into the Columns.

